

Hotplate HP-200
High precision
soft & hard baking





The **Hotplate HP-200** was developed for precise soft bake and hard bake processes in lithography, in MEMS and similar applications. The temperature range is designed for up to 250°C by default. The set temperature and the temperature profile have narrow margins, meaning that a high coating quality can be achieved.

The HP series is convincing due to its high level of uniformity and the high-precision process repeatability. It can be used for substrates with a diameter of up to 200mm and thicknesses of 18mm at maximum.

The hotplate is covered with safety glass, which makes cleaning easier. Due to the high quality, robust design and easy handling, SAWATEC hotplates are preferentially used for laboratories, R&D, pilot projects and institutes.

The high-precision instruments are available as mobile cabinet, portable bench-top and bench-mounted units.

FEATURES (BASIC CONFIGURATION)

- Temperature control with digital target and actual value display
- Quick start function for repeat processes
- Automatic temperature limit switch, no overheating
- Heating ramp up possible with 20 program-steps
- Proximity as well as loading pins, can be easily adapted to different substrate sizes
- Hotplate with safety glass, easy cleaning
- Easy levelling of the hotplate, prevents discharge of photoresist
- User-friendly process configuration with touch screen panel
- Manual substrate fixation via vacuum
- Manual loading and unloading of the substrates



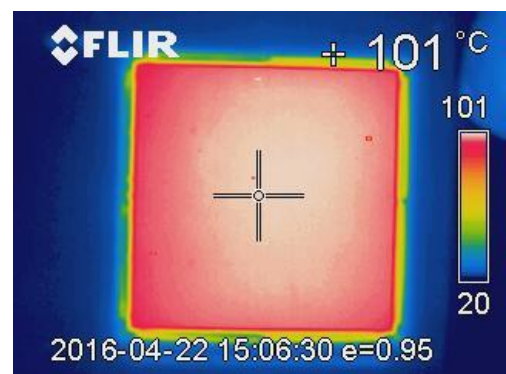
Adaptable proximity pins



Safety glass and quick start function

PERFORMANCE DATA

- Temperature range: ambient temperature up to 250°C
- Temperature accuracy: +/- 0.6°C at 100°C
- Electrical driven proximity and loading pins (stroke 8mm)
- Program controlled adjustable proximity pins (0.1mm increments)



ADDITIONAL FUNCTIONS (OPTIONS)

- N2 flushing program controlled, no oxidation
- HMDS priming program controlled, optimized adhesion
- Simple setup tool for optimal alignment of the hotplate



Lid with N2 flushing and HMDS priming

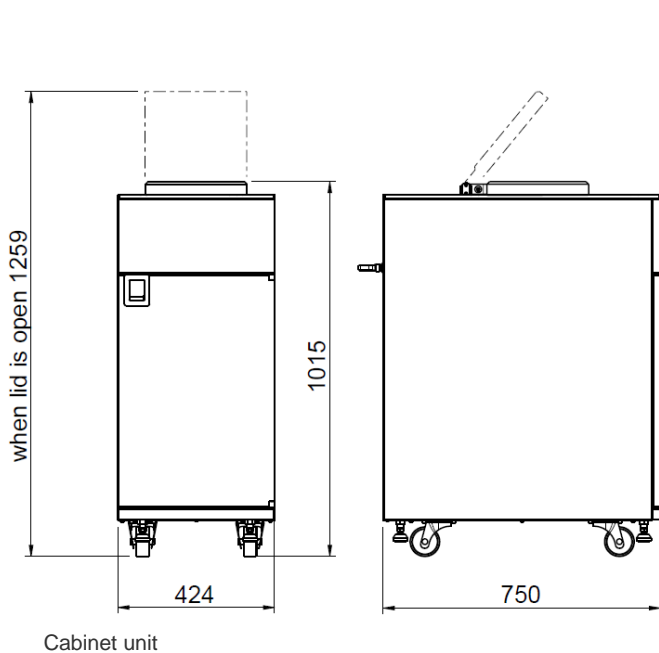


Alignment tool

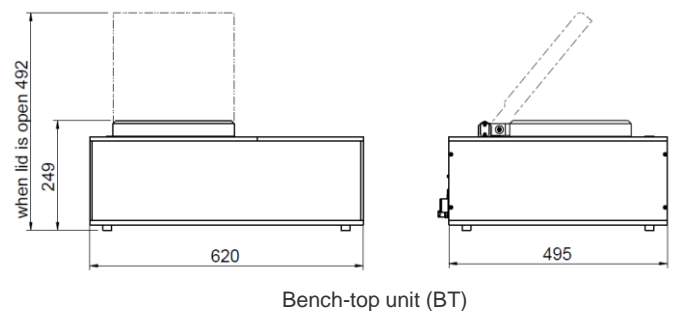
DESIGN AND DIMENSIONS

- Compact, space-saving design
- 3.5" colour display touch screen panel
- Hotplate: 250 x 250mm, anodised aluminium
- Lid: open and close with pneumatic lift, anodised aluminium
- Proximity pins made of Inconel Ø 1mm, pin-circle-diameters Ø 45mm (2") / Ø 92mm (4") / Ø 142mm (6") / Ø 192mm (8")

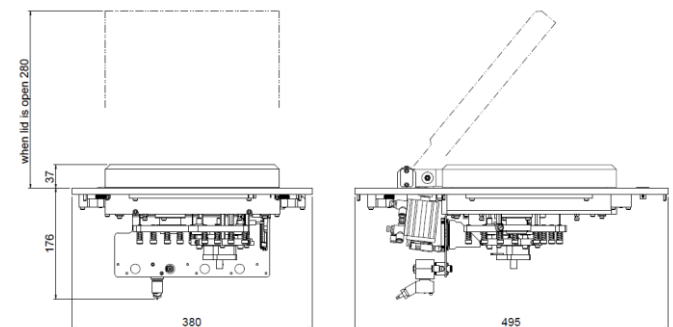
Mobile cabinet HP-200 Cab	Bench-top unit HP-200 BT	Bench-mounted unit HP-200 BM
<ul style="list-style-type: none"> ▪ Mobile cabinet made of electro polished stainless steel ▪ Dimensions (lid open): 424 x 750 x 1259mm (L x W x H) ▪ Weight: approx. 68kg 	<ul style="list-style-type: none"> ▪ Housing: anodised aluminium ▪ Dimensions (lid open): 495 x 620 x 492mm (L x W x H) ▪ Weight: approx. 25kg 	<ul style="list-style-type: none"> ▪ Housing: anodised aluminium ▪ Dimensions (lid open): 380 x 495 x 456mm (L x W x H) ▪ Weight: approx. 20kg



Cabinet unit



Bench-top unit (BT)



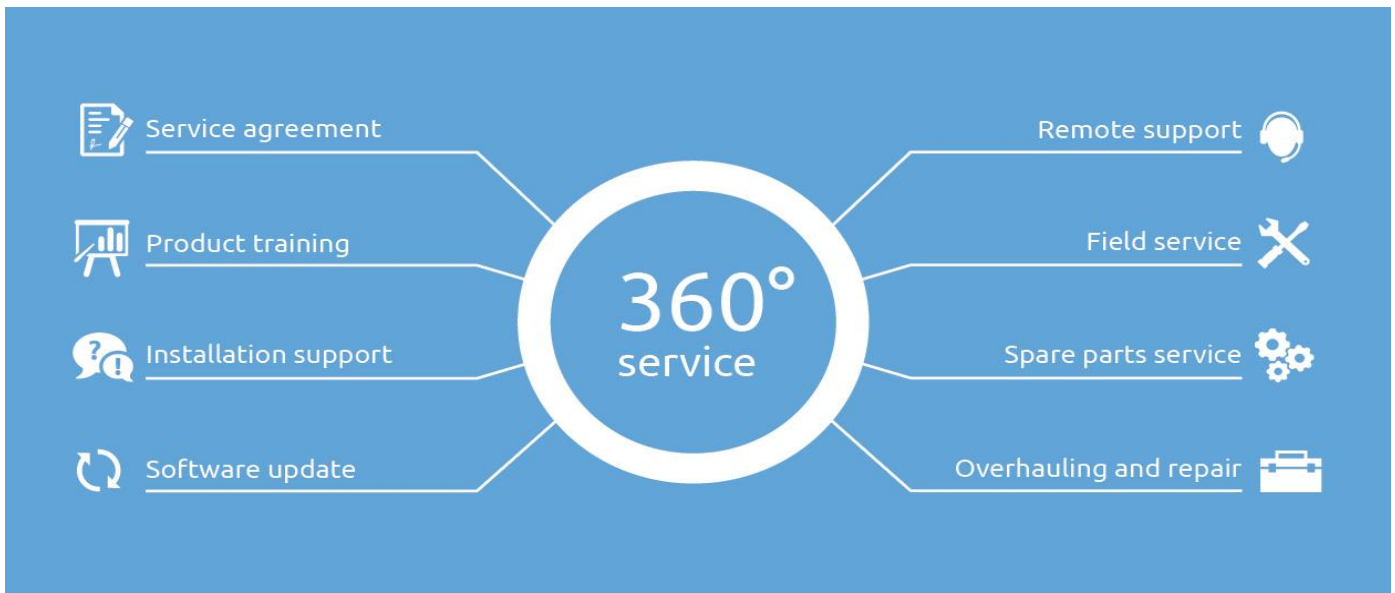
Bench-mounted unit (BM)

REQUIRED MEDIA

- 230 VAC 50/60Hz (1200W)
- Technical vacuum, tube Ø6/4mm (-0.8bar)
- Compressed air 4 bar, tube Ø6/4mm
- N2-connector, tube Ø6/4mm
- HMDS-connector, tube Ø6/4mm



Mobile cabinet HP-200 Cab	Bench-top unit HP-200 BT	Bench-mounted unit HP-200 BM
<ul style="list-style-type: none"> ▪ Cabinet exhaust-connector Ø 40mm 	<ul style="list-style-type: none"> ▪ BT exhaust-connector Ø 32mm 	<ul style="list-style-type: none"> ▪ BM exhaust-connector Ø 32mm



If you would like a personal consultation or have a specific request, please do not hesitate to call us. Our technical experts will be pleased to help you.

Headquarters Switzerland

SAWATEC AG
Eschagger 2
CH-9468 Sax
Switzerland

T +41 81 750 44 00
F +41 81 750 44 01

Email: sales@sawatec.com

Sales and Service Center Greater China

Suzhou SAWATEC Semiconductor Systems Co., Ltd.
Room 403-1, Yixin Building, No.88 Jixian Street
Suzhou Industrial Park
CN-Suzhou, Jiangsu 215123
China

T +86 512 87660235
F +86 512 87660239

Email: cn.sales@sawatec.com

Distribution partners:



SAWATEC
www.sawatec.com